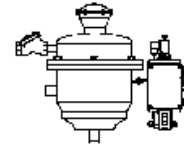




# Cooling Tower Accessories



## Water Filters

Automatic, self-cleaning, line pressure powered water filter. Available in sizes from 1-1/2" to 4", single units can handle flow rates up to 350 gpm. Units can be installed in parallel to handle larger flow rates. Fine screens are available down to 10 microns in a variety of constructions, including standard stainless steel mesh, multi-layer sintered stainless steel and wedgewire. High efficiency rinse cycle consumes a fraction of the water of standard filters.

UNIT	WATER FILTER
PC-005	CWF-0515
PC-010	CWF-0515
PC-015	CWF-0515
PC-020	CWF-2025
PC-025	CWF-2025
PC-030	CWF-3040
PC-040	CWF-3040

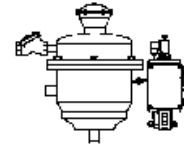
UNIT	WATER FILTER
PC-050	CWF-5060
PC-060	CWF-5060
PC-075	CWF-75125
PC-085	CWF-75125
PC-095	CWF-75125
PC-110	CWF-75125
PC-125	CWF-75125

### Technical Specifications For The ORG Series

- Maximum Working Pressure: **150 psig** (high pressure units available upon request)
- Maximum Fluid Temperature: **150°F**
- Standard housing constructed of carbon steel, coated with extra durable polyester, electrostatically applied and oven cured on a zinc phosphate layer. Alternate materials of construction or special coatings available on request
- ASME units available - with or without "U" stamp
- Units can be manifolded together to handle unlimited flow rates -- see our Flange-to-Flange Solutions for details

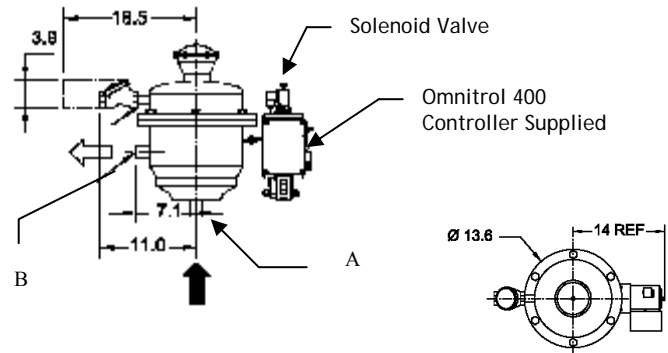
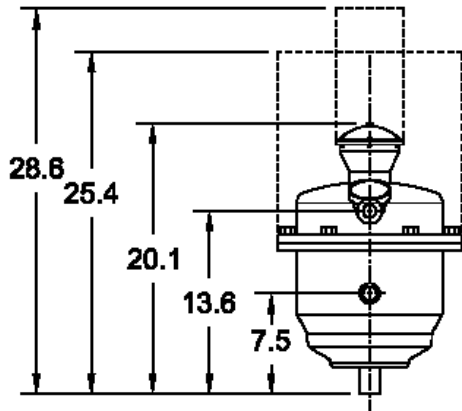


# Cooling Tower Accessories



## Water Filters

ALL DIMENSIONS IN INCHES UNLESS INDICATED

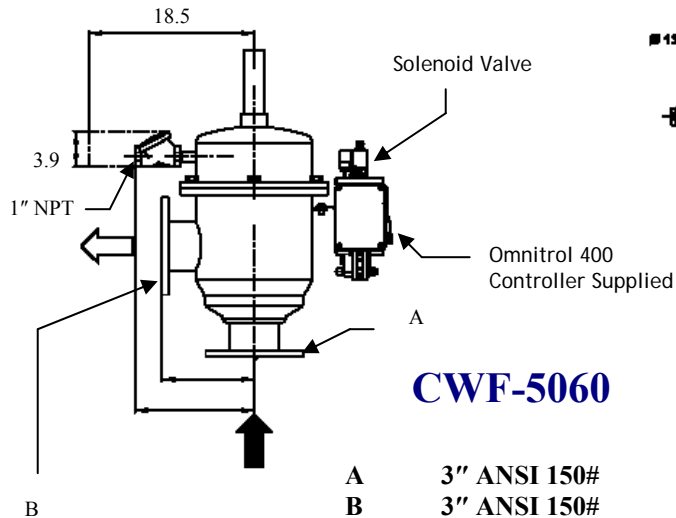
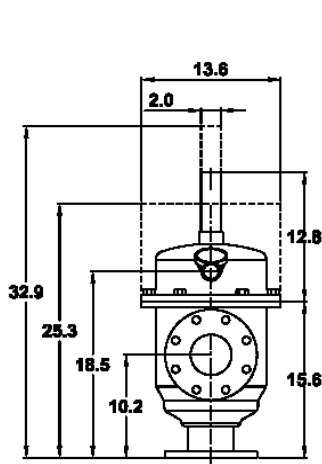


**CWF-0515**

**CWF-2025**

A 1-1/2" NPT  
B 1-1/2" NPT

2" NPT  
2" NPT



**CWF-5060**

**CWF-75125**

A 3" ANSI 150#  
B 3" ANSI 150#

4" ANSI 150#  
4" ANSI 150#